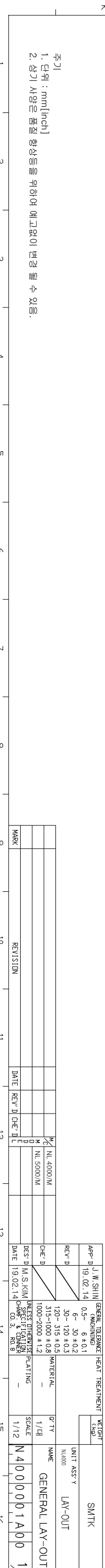
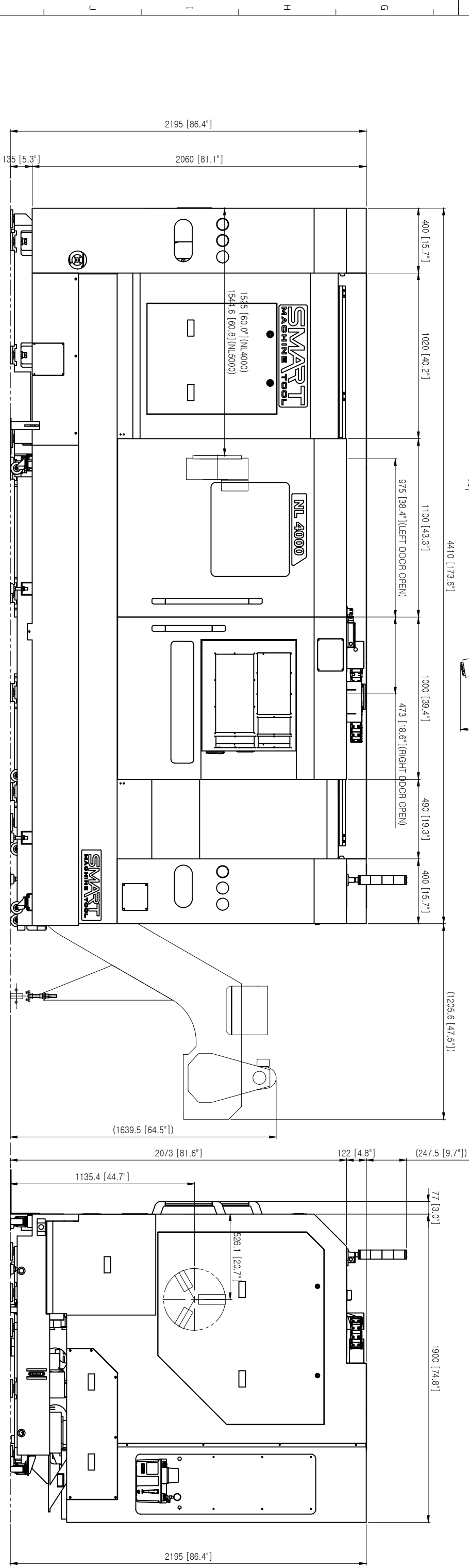
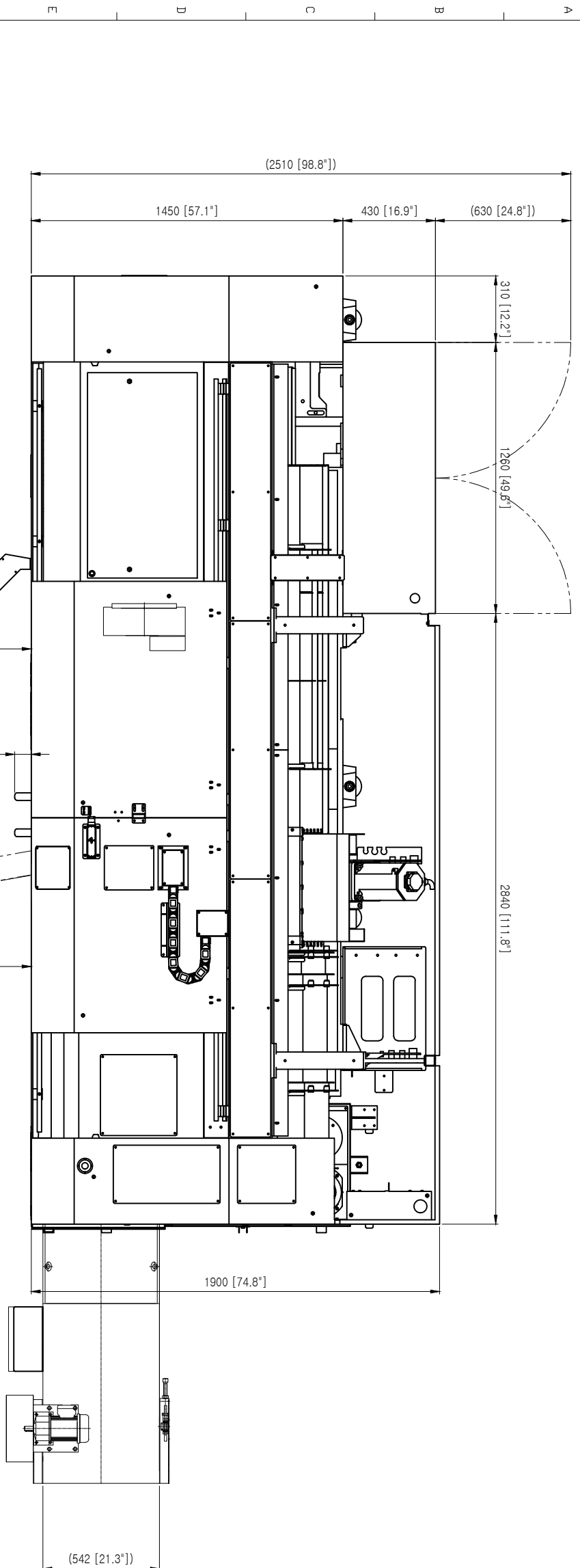


**SMART**  
MACHINE TOOL

**NL 4000**

**Installation  
Packet**



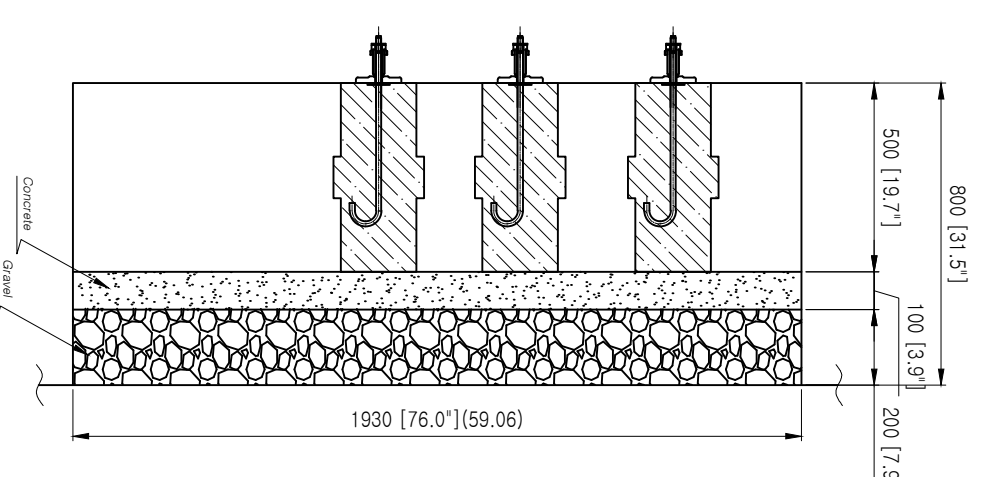
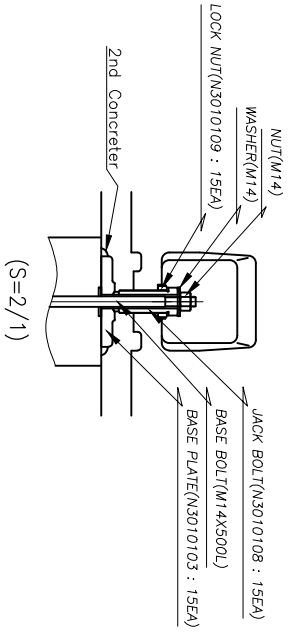
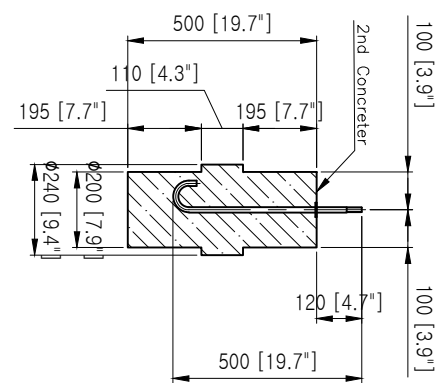
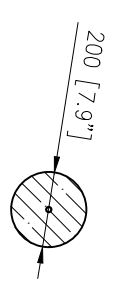
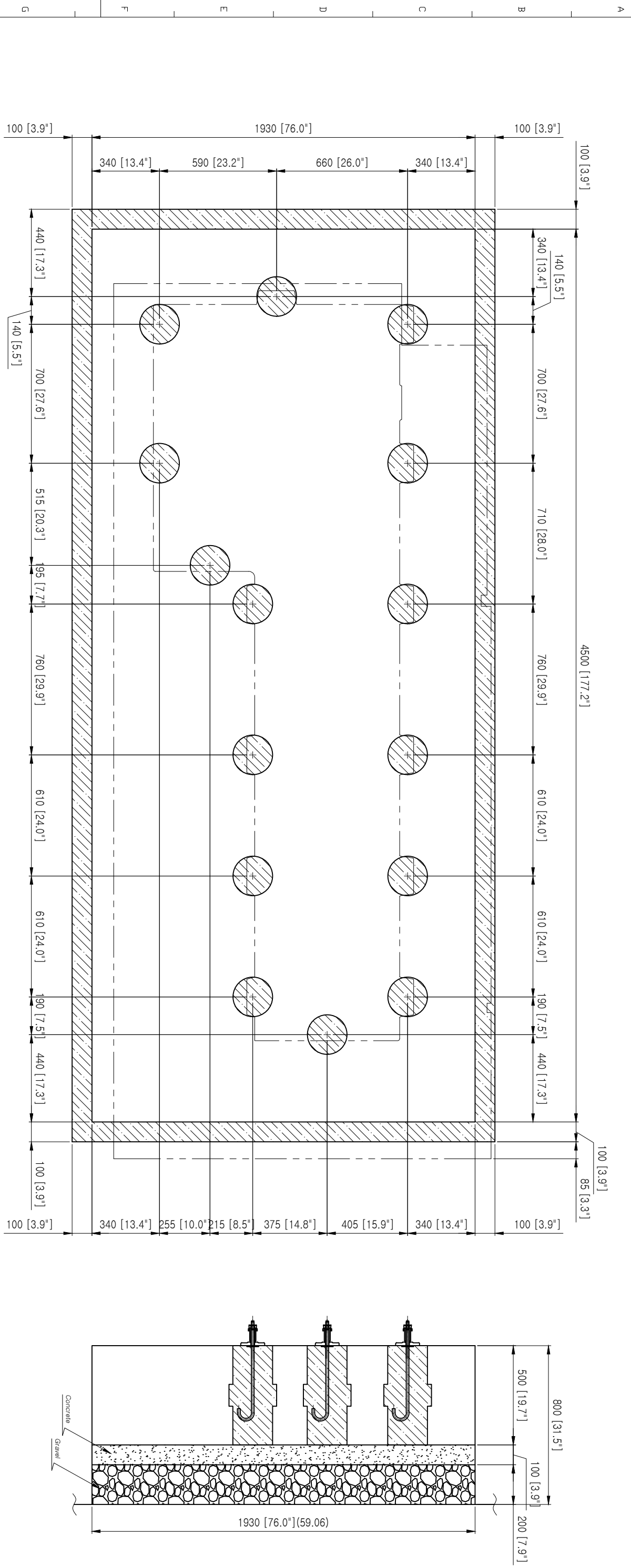
- 주기)
- 1. 단위 : mm[inch]
- 2. 상기 사양은 품질 향상을 위하여 예고없이 변경 될 수 있음.

REVISION		DATE		REV'D		CHK'D	

APP'D	DES'N	DATE	REVISION	DATE	REV'D	CHK'D

GENERAL TOLERANCE	HEAT TREATMENT	WEIGHT
0.5~ 0.01		(GROSS)
6~ 30 ±0.1		
30~ 120 ±0.2		
120~ 315 ±0.3		
315~ 1000 ±0.8		
1000~ 2000 ±1.2		

UNIT ASS'Y	NAME	SCALE	DATE
SMTK	GENERAL LAY-OUT	1/12	19.02.14
LAY-OUT			



Note1) This drawing shows the standard foundation. Modify the concrete thickness according ground condition.

Before the first concrete is completely dry, chamfer the area facing the outside of the machine by approximately 100 mm.  
Concrete strength (28 days after placing concrete) should be 20.6 Mpa(2986.2 psi) or more.

Note2) Because 100 mm(3.94 inch) of styrofoam must Adhere to the inside surface of ditch, dig the foundation. 100 mm(3.94 inch) outside of the outline of the foundation.

Note3) Unit : mm(inch)

MARK	REVISION	DATE	REV'D	CHE' D	DATE	REV'D	CHE' D	DATE	REV'D	CHE' D	DATE	REV'D	CHE' D

APP'D	DES'D	CHK'D	DATE	SCALE	UNIT ASS'Y	NAME
I. W. SHIN	M. S. KIM		19.03.08	1/10	FOUNDATION	N4000005A00

GENERAL TOLERANCE (MACHINING)	HEAT TREATMENT	WEIGHT (KGM)
0.5- 6 ± 0.1		
6- 30 ± 0.2		
30- 120 ± 0.3		
120- 315 ± 0.5		
315- 1000 ± 0.8		
1000- 2000 ± 1.2		
2000- 5000 ± 2.0		
5000- 10000 ± 3.0		
10000- 20000 ± 4.0		
20000- 50000 ± 5.0		
50000- 100000 ± 6.0		
100000- 200000 ± 7.0		
200000- 500000 ± 8.0		
500000- 1000000 ± 9.0		
1000000- 2000000 ± 10.0		

Packing Information (Update date: 2024-02-23)

NO.	Model	Model (Short)	Description	PART NAME	CBM	NET WEIGHT (KGS)	PACKING WEIGHT (KGS)	GROSS WEIGHT (KGS)
1	NL1500/2000/2000B (USA only)	NL1500/2000/2000B	Machine	3,600(L) X 2,300(W) X 2,250(H)	18.63	3,900	530	4,430
2	NL1500M/2000M/2000BM (USA only)	NL1500M/2000M/2000BM	Machine	3,600(L) X 2,300(W) X 2,250(H)	18.63	4,200	530	4,730
3	NL2000ASY	NL2000ASY	Machine + Chip conveyor	5,300(L) X 2,300(W) X 2,475(H)	30.17	5,700	700	6,400
4	NL2000BSY	NL2000BSY	Machine + Chip conveyor	5,300(L) X 2,300(W) X 2,475(H)	30.17	5,800	700	6,500
5	NL2500SY	NL2500SY	Machine + Chip conveyor	5,300(L) X 2,300(W) X 2,475(H)	30.17	6,100	700	6,800
6	NL2500/750	NL2500	Machine + Chip conveyor	5,100(L) X 2,300(W) X 2,250(H)	26.39	5,700	660	6,360
7	NL2500M/750	NL2500M	Machine + Chip conveyor	5,100(L) X 2,300(W) X 2,250(H)	26.39	5,900	660	6,560
8	NL2500/1100	NL2500L	Machine + Chip conveyor	5,550(L) X 2,300(W) X 2,250(H)	28.72	6,900	720	7,620
9	NL2500M/1100	NL2500LM	Machine + Chip conveyor	5,550(L) X 2,300(W) X 2,250(H)	28.72	7,100	720	7,820
10	NL3000B/750	NL3000B	Machine + Chip conveyor	5,100(L) X 2,300(W) X 2,250(H)	26.39	5,700	660	6,360
11	NL3000BM/750	NL3000BM	Machine + Chip conveyor	5,100(L) X 2,300(W) X 2,250(H)	26.39	5,900	660	6,560
12	NL3000B/1100	NL3000BL	Machine + Chip conveyor	5,550(L) X 2,300(W) X 2,250(H)	28.72	6,900	720	7,620
13	NL3000BM/1100	NL3000BLM	Machine + Chip conveyor	5,550(L) X 2,300(W) X 2,250(H)	28.72	7,100	720	7,820
14	NL4000M/1200	NL4000M	Machine	4,800(L) X 2,300(W) X 2,450(H)	27.05	10,800	650	11,450
15	NL4000/1200 C/C	NL4000 C/C	Chip conveyor	4,250(L) X 950(W) X 1,500(H)	6.06	800	70	870
16	NL4000M/2200	NL4000LM	Machine	6,000(L) X 2,300(W) X 2,450(H)	33.81	13,700	750	14,450
17	NL4000(M)/2200 C/C	NL4000L/LM C/C	Chip conveyor	5,450(L) X 950(W) X 1,600(H)	8.21	1,000	100	1,100
18	NL4000Y/2200	NL4000LY	Machine	6,000(L) X 2,300(W) X 2,950(H)	40.71	15,000	650	15,650
19	NL4000Y/2200 C/C	NL4000LY C/C	Chip conveyor	5,450(L) X 950(W) X 1,880(H)	9.73	1,000	100	1,100
20	NL4000(M)/3200	NL4000XL/XLM	Machine	7,000(L) X 2,300(W) X 2,550(H)	41.06	16,800	1,500	18,300
21	NL4000(M)/3200 C/C	NL4000XL/XLM C/C	Chip conveyor	6,450(L) X 1,150(W) X 1,600(H)	11.87	1,200	100	1,300
22	NL5000/1200	NL5000	Machine	4,800(L) X 2,300(W) X 2,450(H)	27.05	10,800	650	11,450
23	NL5000M/1200	NL5000M	Machine	4,800(L) X 2,300(W) X 2,450(H)	27.05	10,900	650	11,550
24	NL5000(M)/1200 C/C	NL5000/M C/C	Chip conveyor	4,250(L) X 950(W) X 1,500(H)	6.06	800	70	870
25	NL5000/2200	NL5000L	Machine	6,000(L) X 2,300(W) X 2,450(H)	33.81	13,700	750	14,450
26	NL5000M/2200	NL5000LM	Machine	6,000(L) X 2,300(W) X 2,450(H)	33.81	13,800	750	14,550
27	NL5000(M)/2200 C/C	NL5000L/LM C/C	Chip conveyor	5,450(L) X 950(W) X 1,600(H)	8.21	1,000	100	1,100
28	NL5000(M)/3200	NL5000XL/XLM	Machine	7,000(L) X 2,300(W) X 2,550(H)	41.06	16,900	1,500	18,400
29	NL5000(M)/3200 C/C	NL5000XL/XLM C/C	Chip conveyor	6,450(L) X 1,150(W) X 1,600(H)	11.87	1,200	100	1,300
30	NL6000/750(M) C/C	NL6000S/SM C/C	Chip conveyor + Rear cover	3,950(L) X 2,300(W) X 1,750(H)	15.90	1,800	130	1,930
31	NL6000(M)/1500 C/C	NL6000/M C/C	Chip conveyor + Rear cover	4,850(L) X 2,300(W) X 1,600(H)	17.85	2,150	150	2,300
32	NL6000(M)/2200 C/C	NL6000L/LM C/C	Chip conveyor + Rear cover	5,550(L) X 2,300(W) X 1,750(H)	22.34	2,250	250	2,500
33	NL6000(M)/3200 C/T	NL6000XL/XLM C/T	Coolant tank + Rear cover	5,600(L) X 2,300(W) X 950(H)	12.24	2,650	350	3,000
34	NV5500L C/C	NV5500L C/C	Chip conveyor	4,880(L) X 1,150(W) X 750(H)	4.21	900	100	1,000

MACHINE MODEL	KVA	AMPS @ 220V	Coolant	Slideways	Hyd. Unit	Transmission	Chuck	Oil for Air
NL150/200/250	31	82	48	.79 gal	5.3 gal	n/a	.2 oz daily	N/A
NL1500(M)	31	82	48	.79 gal	5.3 gal	n/a	.2 oz daily	.6 oz
NL2000(M)	31	82	48	.79 gal	5.3 gal	n/a	.2 oz daily	.6 oz
NL2000A/B/S/Y	40	105	60	.79 gal	5.3 gal	n/a	.2 oz daily	.6 oz
NL2500SY	50	131	60	.79 gal	5.3 gal	n/a	.2 oz daily	.6 oz
NL2500S	40	105	48	.79 gal	5.3 gal	0.75	.2 oz daily	.6 oz
NL2500(M)	40	105	53	.79 gal	5.3 gal	0.75	.2 oz daily	.6 oz
NL3000(M)	40	105	63	.79 gal	5.3 gal	0.75	.2 oz daily	N/A
NL4000(M)	55	144	63	.79 gal	6.4 gal	0.75	.2 oz daily	N/A
NL5000(M)	55	144	63	.79 gal	6.4 gal	0.75	.2 oz daily	N/A
NL5000L(M)	65	170	130	.79 gal	6.4 gal	0.75	.2 oz daily	N/A
NL6000(M)	65	170	105	.79 gal	15 gal	0.75	.2 oz daily	N/A
NL6000L(M)	65	170	150	.79 gal	15 gal	0.75	.2 oz daily	N/A
NL6000XL(M)	65	170	180	.79 gal	15 gal	0.75	.2 oz daily	N/A
NL7000L(M)	65	170	150	.79 gal	15 gal	2 gal	.2 oz daily	N/A
NL7000XL(M)	65	170	180	.79 gal	15 gal	2 gal	.2 oz daily	N/A
				Shell Oil T68	Mobil DTE 24	Mobil Oil Light	SW10	DTE Light
				Mobil Vactra#2		ISO VG 32		
				check daily	check daily	check daily	grease daily	check daily

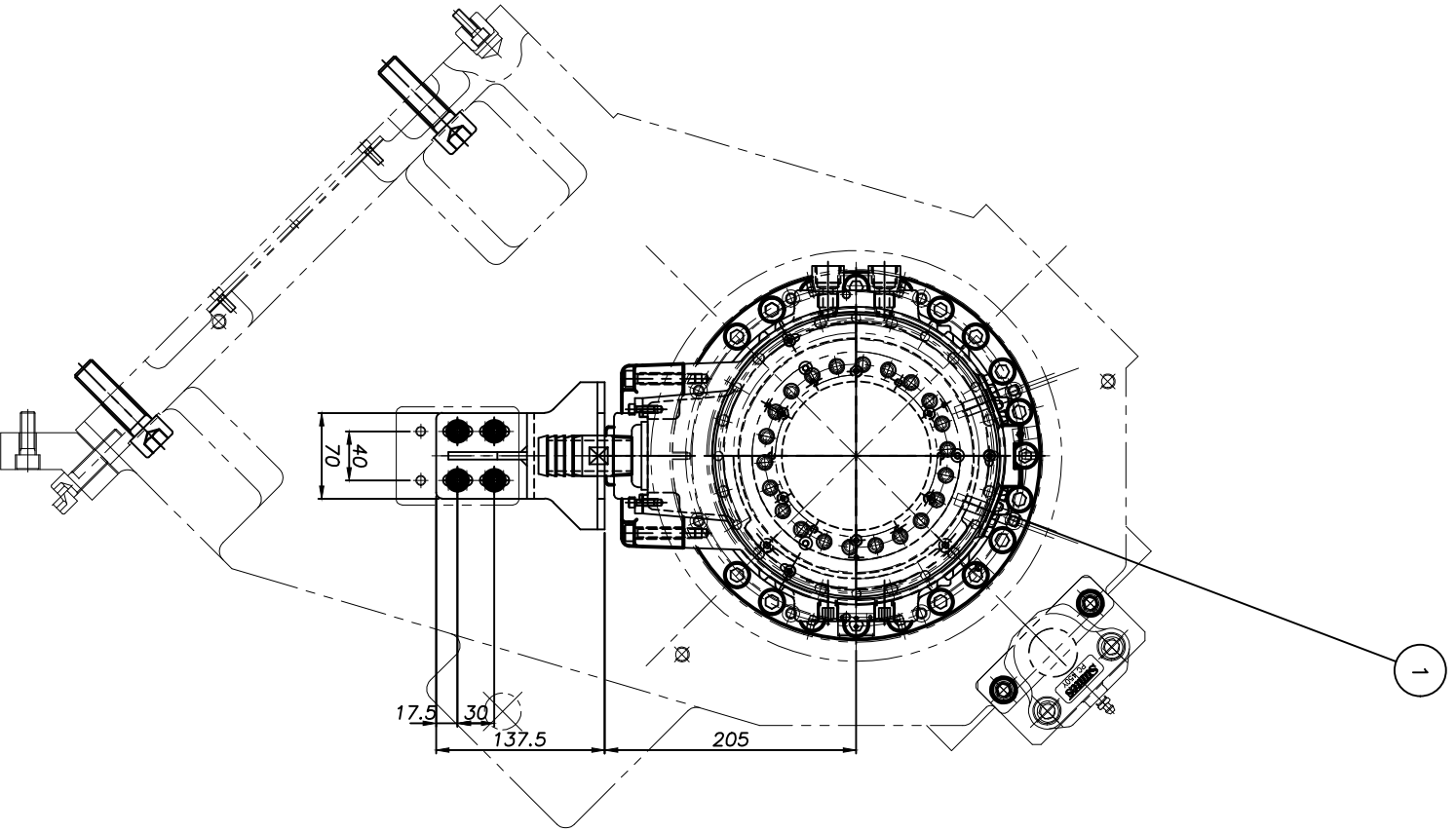
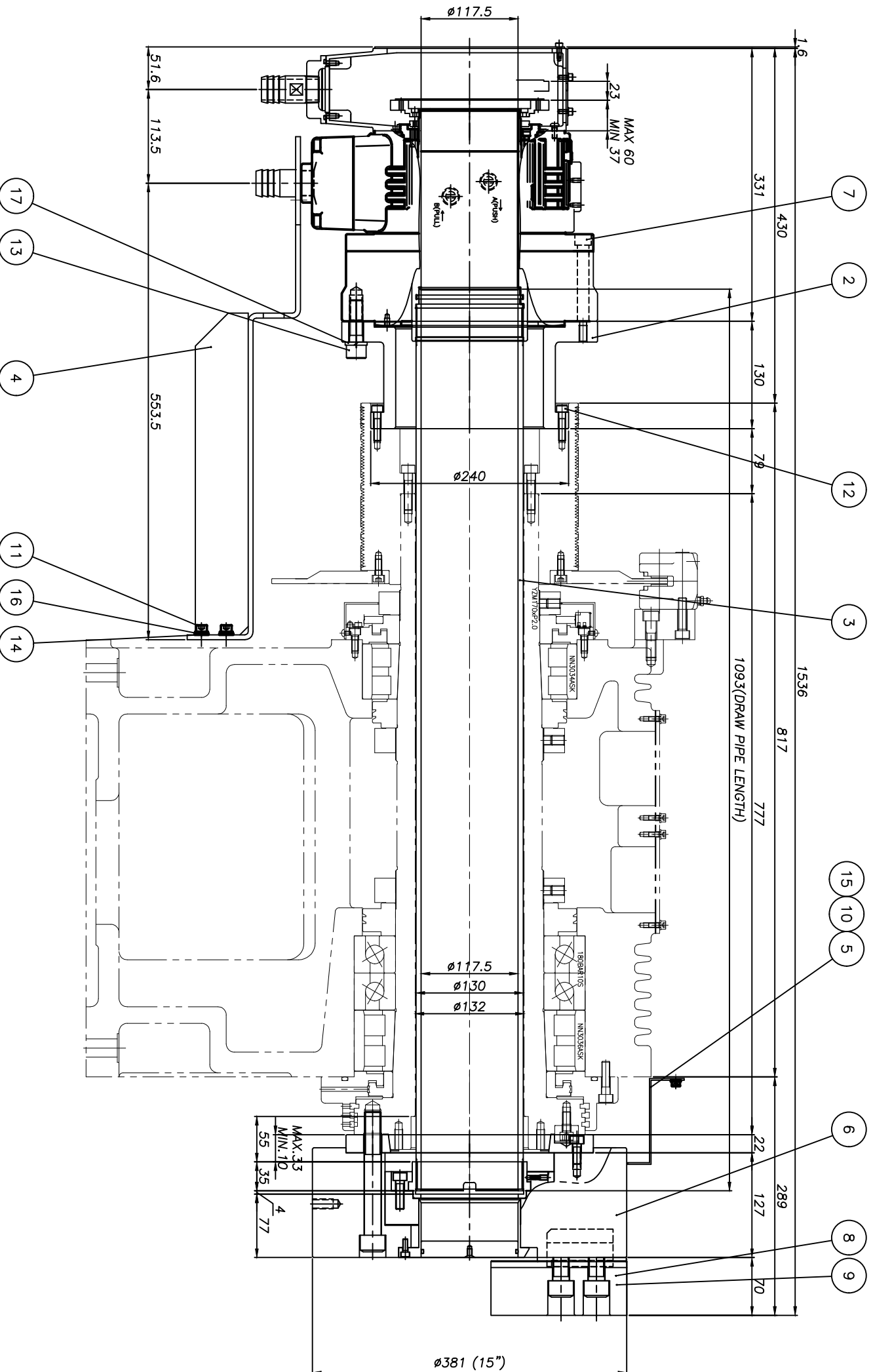
Air requirements: 80-100 psi, 5-10 CFM

Coolant only fluid required at install

Voltage : 220V +/- 10%

NO.	DWG NO.	NAME	MAT'L	QTY	REMARK
16	SZ550800	SPRING WASHER	M8	4	
17	SZ551600	SPRING WASHER	12 M16	1	

NO.	DWG NO.	NAME	MAT'L	QTY	REMARK
1	N2590805A00	PROXIMITY SWITCH	SM45C	2	FUM-34RD-CY(VALANCE)
2	N4090101A00	CYLINDER ADAPTER	STRM13C	1	
3	N4090102A00	DRAW TUBE	STRM13C	1	
4	N4090103A00	CYLINDER BRACKET	SS400	1	
5	N4090104A00	CHUCK SAFETY COVER	SPPCC	1	
6	N4090801A00	POWER CHUCK		1	HGH-15A11(SAMCHULLY)
7	N4090802A00	ROTARY CYLINDER		1	SP-25A11(SAMCHULLY)
8	N4090803A00	SOFT JAW		2	SB15C1(SAMCHULLY)
9	N4090804A00	HARD JAW		1	HB15A1(SAMCHULLY)
10	S0210612	SOCKET HEAD BOLT		3	M8x12L
11	S0210825	SOCKET HEAD BOLT		4	M8x25L
12	S0210835	SOCKET HEAD BOLT		12	M8x35L
13	S0211655	SOCKET HEAD BOLT		12	M16x55L
14	SZ530800	WASHER	M8	4	
15	SZ550600	SPRING WASHER	M6	3	



MARK	REVISION	DATE	REV'D	CHE'D	MARK	MARK	REVISION	DATE	REV'D	CHE'D	MARK	APP'D	GENERAL TOLERANCE	HEAT TREATMENT	UNIT ASS'Y	SCALE
													0.3- 6 OH		CHUCK ASS'Y	1/3
													6-30 0E		CHUCK ASS'Y	
													36 12E 0.3			
													126 31E 0.3			
													316 100E 0.8			
													1000 200E 1.2			

