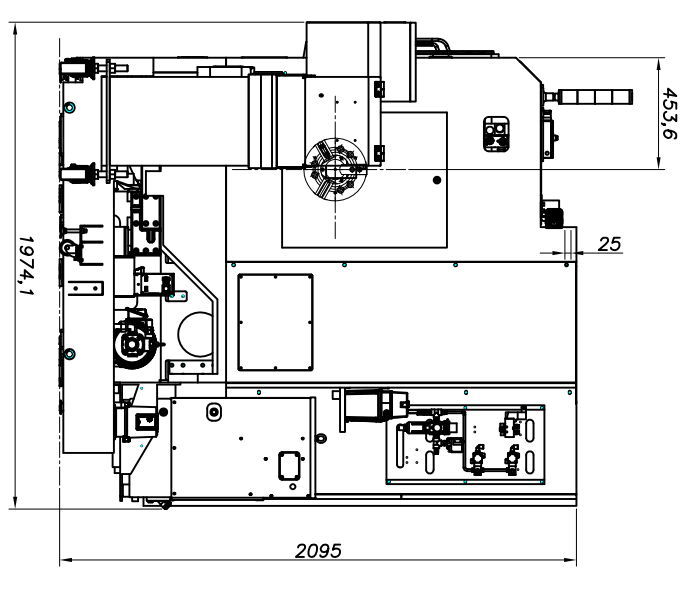
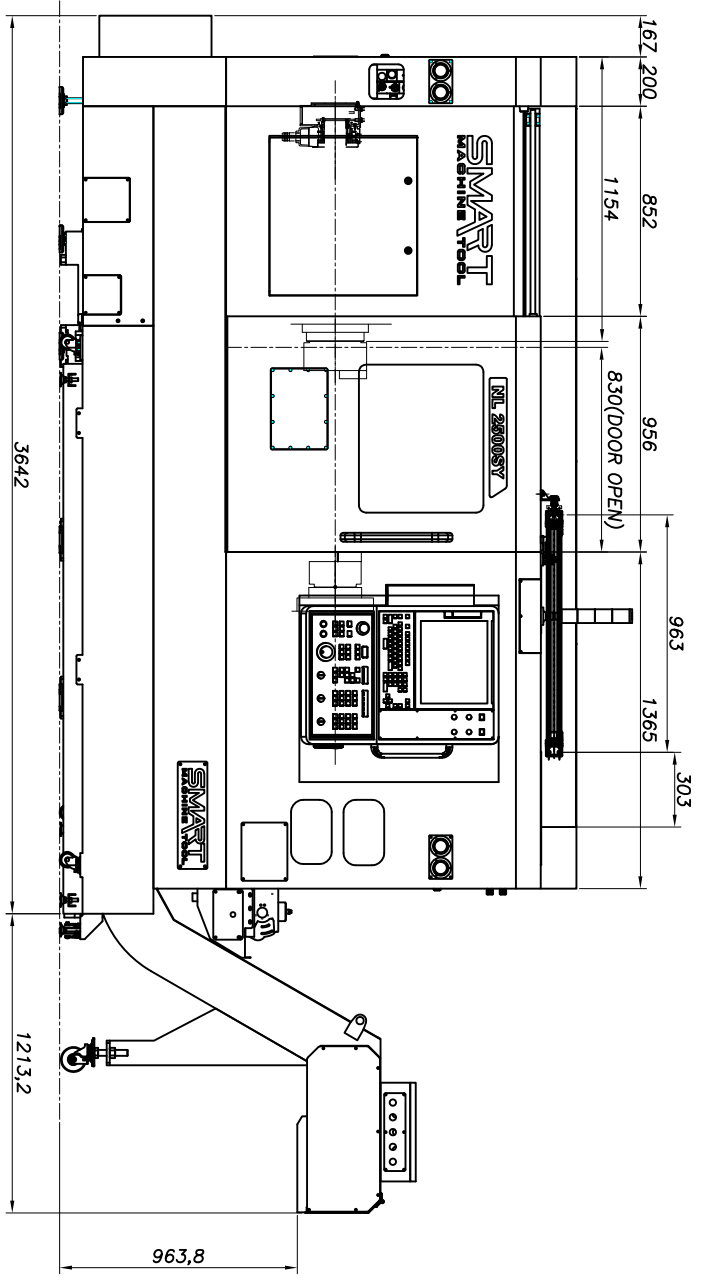
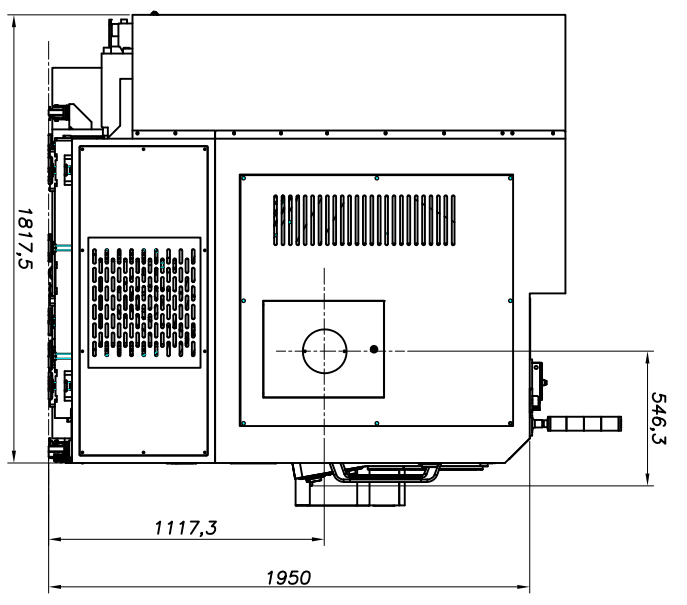
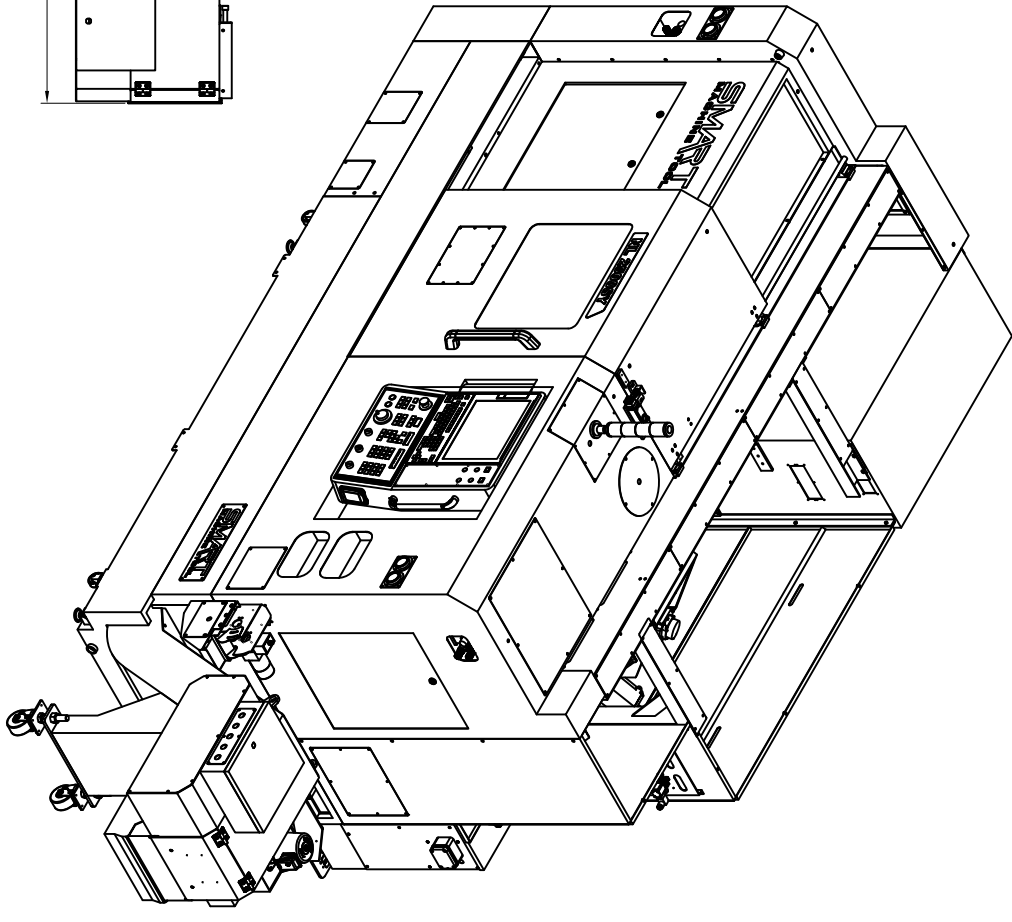
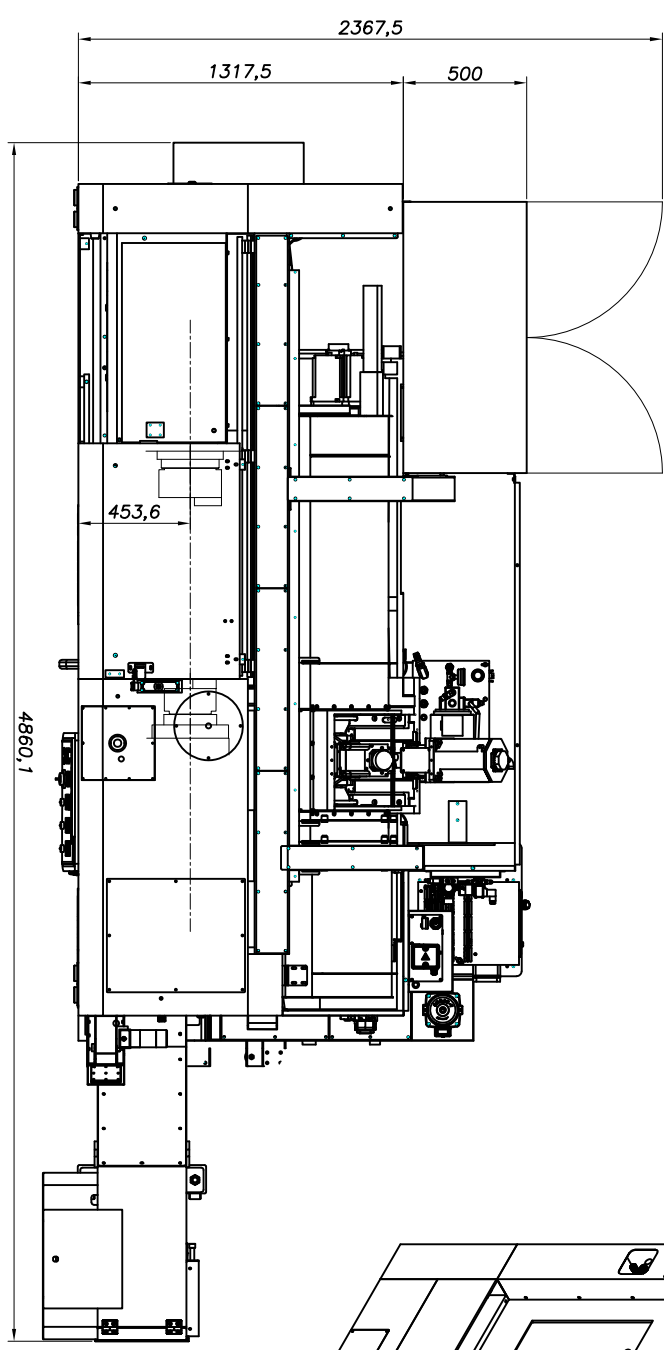


SMART
MACHINE TOOL

NL 2500SY

Installation

Packet



GENERAL TOLERANCE HEAT TREATMENT														SMTK
GENERAL TOLERANCE HEAT TREATMENT														UNIT ASS'Y
GENERAL TOLERANCE HEAT TREATMENT														LAY-OUT
GENERAL TOLERANCE HEAT TREATMENT														NAME
GENERAL TOLERANCE HEAT TREATMENT														GENERAL ASS'Y
GENERAL TOLERANCE HEAT TREATMENT														SCALE
GENERAL TOLERANCE HEAT TREATMENT														1/1.5
GENERAL TOLERANCE HEAT TREATMENT														N 230001A00
GENERAL TOLERANCE HEAT TREATMENT														MARK
GENERAL TOLERANCE HEAT TREATMENT														REVISION
GENERAL TOLERANCE HEAT TREATMENT														DATE
GENERAL TOLERANCE HEAT TREATMENT														REV' D
GENERAL TOLERANCE HEAT TREATMENT														CHE' D
GENERAL TOLERANCE HEAT TREATMENT														CHE' D
GENERAL TOLERANCE HEAT TREATMENT														DATE
GENERAL TOLERANCE HEAT TREATMENT														N 25005Y
GENERAL TOLERANCE HEAT TREATMENT														DES' D
GENERAL TOLERANCE HEAT TREATMENT														J.W. SHIN
GENERAL TOLERANCE HEAT TREATMENT														2021.03.17
GENERAL TOLERANCE HEAT TREATMENT														APP' D
GENERAL TOLERANCE HEAT TREATMENT														2021.03.17
GENERAL TOLERANCE HEAT TREATMENT														REV' D
GENERAL TOLERANCE HEAT TREATMENT														0.5
GENERAL TOLERANCE HEAT TREATMENT														6
GENERAL TOLERANCE HEAT TREATMENT														30
GENERAL TOLERANCE HEAT TREATMENT														120
GENERAL TOLERANCE HEAT TREATMENT														315
GENERAL TOLERANCE HEAT TREATMENT														1000
GENERAL TOLERANCE HEAT TREATMENT														2000
GENERAL TOLERANCE HEAT TREATMENT														PLATING
GENERAL TOLERANCE HEAT TREATMENT														7/2E/4H
GENERAL TOLERANCE HEAT TREATMENT														NAME
GENERAL TOLERANCE HEAT TREATMENT														DATE

Packing Information (Update date: 2024-02-23)

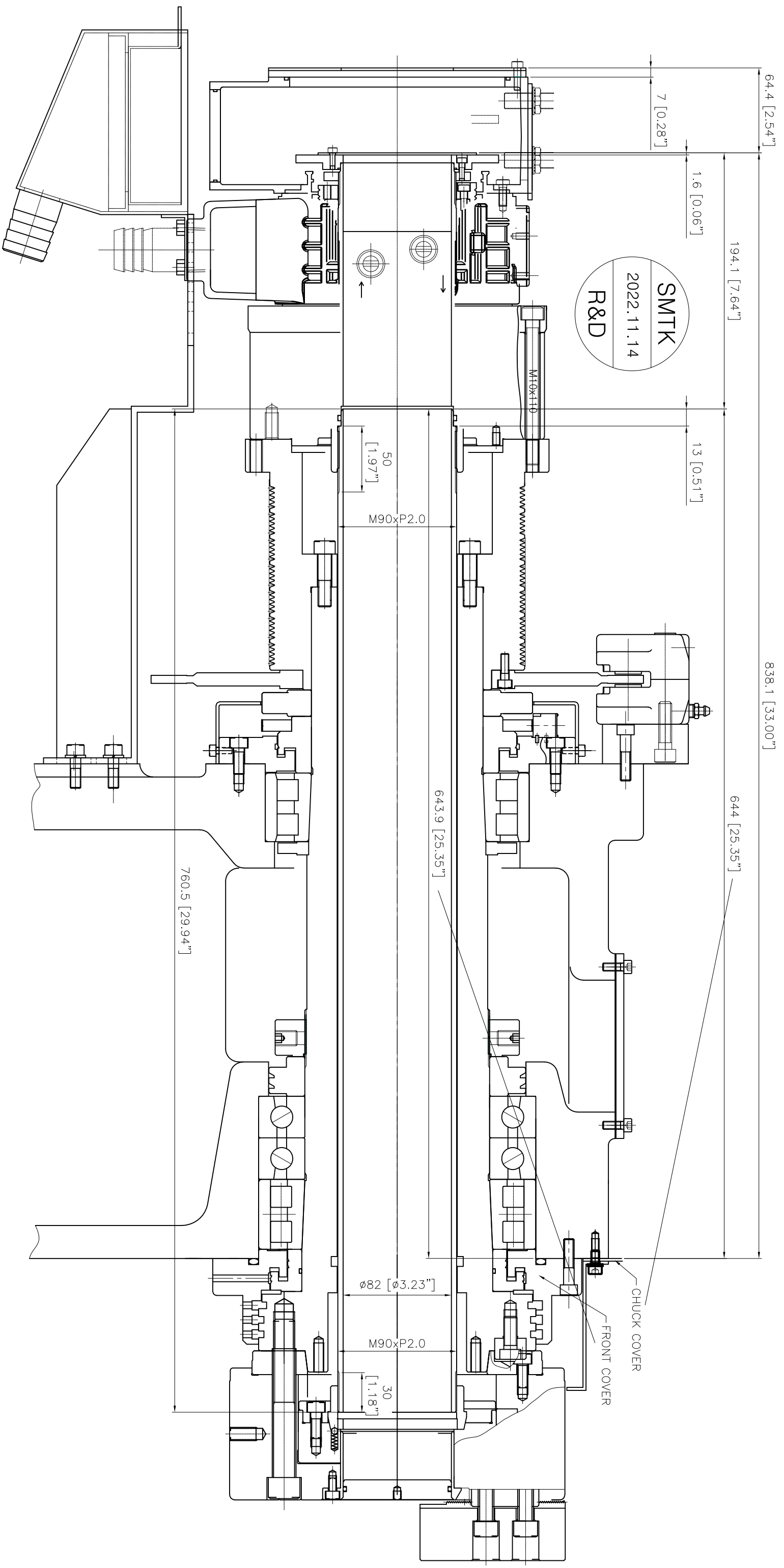
NO.	Model	Model (Short)	Description	PART NAME	CBM	NET WEIGHT (KGS)	PACKING WEIGHT (KGS)	GROSS WEIGHT (KGS)
1	NL1500/2000/2000B (USA only)	NL1500/2000/2000B	Machine	3,600(L) X 2,300(W) X 2,250(H)	18.63	3,900	530	4,430
2	NL1500M/2000M/2000BM (USA only)	NL1500M/2000M/2000BM	Machine	3,600(L) X 2,300(W) X 2,250(H)	18.63	4,200	530	4,730
3	NL2000ASY	NL2000ASY	Machine + Chip conveyor	5,300(L) X 2,300(W) X 2,475(H)	30.17	5,700	700	6,400
4	NL2000BSY	NL2000BSY	Machine + Chip conveyor	5,300(L) X 2,300(W) X 2,475(H)	30.17	5,800	700	6,500
5	NL2500SY	NL2500SY	Machine + Chip conveyor	5,300(L) X 2,300(W) X 2,475(H)	30.17	6,100	700	6,800
6	NL2500/750	NL2500	Machine + Chip conveyor	5,100(L) X 2,300(W) X 2,250(H)	26.39	5,700	660	6,360
7	NL2500M/750	NL2500M	Machine + Chip conveyor	5,100(L) X 2,300(W) X 2,250(H)	26.39	5,900	660	6,560
8	NL2500/1100	NL2500L	Machine + Chip conveyor	5,550(L) X 2,300(W) X 2,250(H)	28.72	6,900	720	7,620
9	NL2500M/1100	NL2500LM	Machine + Chip conveyor	5,550(L) X 2,300(W) X 2,250(H)	28.72	7,100	720	7,820
10	NL3000B/750	NL3000B	Machine + Chip conveyor	5,100(L) X 2,300(W) X 2,250(H)	26.39	5,700	660	6,360
11	NL3000BM/750	NL3000BM	Machine + Chip conveyor	5,100(L) X 2,300(W) X 2,250(H)	26.39	5,900	660	6,560
12	NL3000B/1100	NL3000BL	Machine + Chip conveyor	5,550(L) X 2,300(W) X 2,250(H)	28.72	6,900	720	7,620
13	NL3000BM/1100	NL3000BLM	Machine + Chip conveyor	5,550(L) X 2,300(W) X 2,250(H)	28.72	7,100	720	7,820
14	NL4000M/1200	NL4000M	Machine	4,800(L) X 2,300(W) X 2,450(H)	27.05	10,800	650	11,450
15	NL4000/1200 C/C	NL4000 C/C	Chip conveyor	4,250(L) X 950(W) X 1,500(H)	6.06	800	70	870
16	NL4000M/2200	NL4000LM	Machine	6,000(L) X 2,300(W) X 2,450(H)	33.81	13,700	750	14,450
17	NL4000(M)/2200 C/C	NL4000L/LM C/C	Chip conveyor	5,450(L) X 950(W) X 1,600(H)	8.21	1,000	100	1,100
18	NL4000Y/2200	NL4000LY	Machine	6,000(L) X 2,300(W) X 2,950(H)	40.71	15,000	650	15,650
19	NL4000Y/2200 C/C	NL4000LY C/C	Chip conveyor	5,450(L) X 950(W) X 1,880(H)	9.73	1,000	100	1,100
20	NL4000(M)/3200	NL4000XL/XLM	Machine	7,000(L) X 2,300(W) X 2,550(H)	41.06	16,800	1,500	18,300
21	NL4000(M)/3200 C/C	NL4000XL/XLM C/C	Chip conveyor	6,450(L) X 1,150(W) X 1,600(H)	11.87	1,200	100	1,300
22	NL5000/1200	NL5000	Machine	4,800(L) X 2,300(W) X 2,450(H)	27.05	10,800	650	11,450
23	NL5000M/1200	NL5000M	Machine	4,800(L) X 2,300(W) X 2,450(H)	27.05	10,900	650	11,550
24	NL5000(M)/1200 C/C	NL5000/M C/C	Chip conveyor	4,250(L) X 950(W) X 1,500(H)	6.06	800	70	870
25	NL5000/2200	NL5000L	Machine	6,000(L) X 2,300(W) X 2,450(H)	33.81	13,700	750	14,450
26	NL5000M/2200	NL5000LM	Machine	6,000(L) X 2,300(W) X 2,450(H)	33.81	13,800	750	14,550
27	NL5000(M)/2200 C/C	NL5000L/LM C/C	Chip conveyor	5,450(L) X 950(W) X 1,600(H)	8.21	1,000	100	1,100
28	NL5000(M)/3200	NL5000XL/XLM	Machine	7,000(L) X 2,300(W) X 2,550(H)	41.06	16,900	1,500	18,400
29	NL5000(M)/3200 C/C	NL5000XL/XLM C/C	Chip conveyor	6,450(L) X 1,150(W) X 1,600(H)	11.87	1,200	100	1,300
30	NL6000/750(M) C/C	NL6000S/SM C/C	Chip conveyor + Rear cover	3,950(L) X 2,300(W) X 1,750(H)	15.90	1,800	130	1,930
31	NL6000(M)/1500 C/C	NL6000/M C/C	Chip conveyor + Rear cover	4,850(L) X 2,300(W) X 1,600(H)	17.85	2,150	150	2,300
32	NL6000(M)/2200 C/C	NL6000L/LM C/C	Chip conveyor + Rear cover	5,550(L) X 2,300(W) X 1,750(H)	22.34	2,250	250	2,500
33	NL6000(M)/3200 C/T	NL6000XL/XLM C/T	Coolant tank + Rear cover	5,600(L) X 2,300(W) X 950(H)	12.24	2,650	350	3,000
34	NV5500L C/C	NV5500L C/C	Chip conveyor	4,880(L) X 1,150(W) X 750(H)	4.21	900	100	1,000

MACHINE MODEL	KVA	AMPS @ 220V	Coolant	Slideways	Hyd. Unit	Transmission	Chuck	Oil for Air
NL150/200/250	31	82	48	.79 gal	5.3 gal	n/a	.2 oz daily	N/A
NL1500(M)	31	82	48	.79 gal	5.3 gal	n/a	.2 oz daily	.6 oz
NL2000(M)	31	82	48	.79 gal	5.3 gal	n/a	.2 oz daily	.6 oz
NL2000A/B/S/Y	40	105	60	.79 gal	5.3 gal	n/a	.2 oz daily	.6 oz
NL2500SY	50	131	60	.79 gal	5.3 gal	n/a	.2 oz daily	.6 oz
NL2500S	40	105	48	.79 gal	5.3 gal	0.75	.2 oz daily	.6 oz
NL2500(M)	40	105	53	.79 gal	5.3 gal	0.75	.2 oz daily	.6 oz
NL3000(M)	40	105	63	.79 gal	5.3 gal	0.75	.2 oz daily	N/A
NL4000(M)	55	144	63	.79 gal	6.4 gal	0.75	.2 oz daily	N/A
NL5000(M)	55	144	63	.79 gal	6.4 gal	0.75	.2 oz daily	N/A
NL5000L(M)	65	170	130	.79 gal	6.4 gal	0.75	.2 oz daily	N/A
NL6000(M)	65	170	105	.79 gal	15 gal	0.75	.2 oz daily	N/A
NL6000L(M)	65	170	150	.79 gal	15 gal	0.75	.2 oz daily	N/A
NL6000XL(M)	65	170	180	.79 gal	15 gal	0.75	.2 oz daily	N/A
NL7000L(M)	65	170	150	.79 gal	15 gal	2 gal	.2 oz daily	N/A
NL7000XL(M)	65	170	180	.79 gal	15 gal	2 gal	.2 oz daily	N/A
				Shell Oil T68	Mobil DTE 24	Mobil Oil Light	SW10	DTE Light
				Mobil Vactra#2		ISO VG 32		
				check daily	check daily	check daily	grease daily	check daily

Air requirements: 80-100 psi, 5-10 CFM

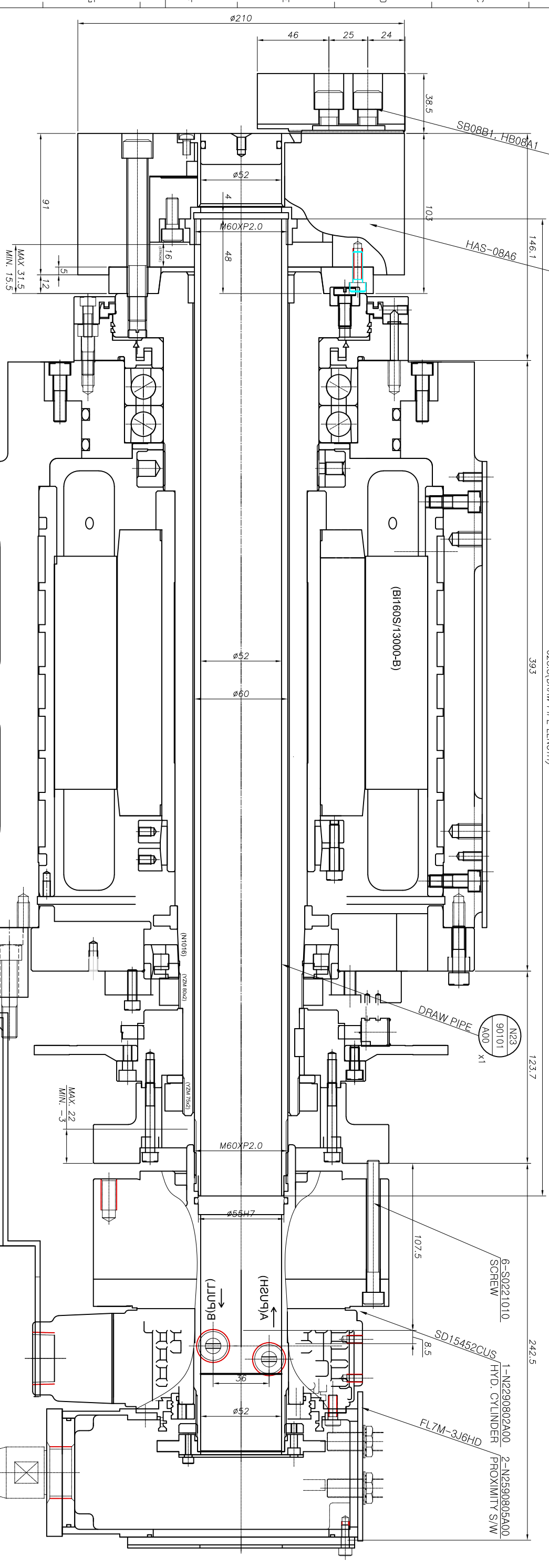
Coolant only fluid required at install

Voltage : 220V +/- 10%



- 1-N2090803A00 HARD JAW
- 1-N2090804A00 SOFT JAW
- 1-N2390801A00 8" CHUCK

628.8(DRAW PIPE LENGTH)



- 2-S0210616 SCREW
- 2-S2530600 WASHER
- 2-S2550600 SPRING WASHER

N22 90112 A01 x1

BRACKET

주기
1. 주축관통경 $\phi 62$. Max. rpm 5,000 사양임.

MARK	REVISION	DATE	REV'D	CHE'D	DATE	DES'N	CHK'D	DATE	DES'N	CHK'D	DATE	DES'N	CHK'D	DATE	DES'N	CHK'D	DATE	DES'N	CHK'D	DATE	
		NL2500SY				J.W. SHIN		GENERAL TOLERANCE		HEAT TREATMENT		UNIT ASS'Y		SMTK							
		NL2500SY				J.W. SHIN		0.5 - 0.1		6 - 0.1		SUB CHUCK ASS'Y		SMTK							
		NL2500SY				J.W. SHIN		30 - 120 ± 0.2		30 - 120 ± 0.2		CHUCKING		SMTK							
		NL2500SY				J.W. SHIN		310 - 1000 ± 0.5		310 - 1000 ± 0.5		CHUCKING		SMTK							
		NL2500SY				J.W. SHIN		1000 - 2000 ± 1.2		1000 - 2000 ± 1.2		CHUCKING		SMTK							
		NL2500SY				J.W. SHIN		UNLESS OTHERWISE SPECIFIED		UNLESS OTHERWISE SPECIFIED		CHUCKING		SMTK							
		NL2500SY				J.W. SHIN		SCALE		SCALE		CHUCKING		SMTK							
		NL2500SY				J.W. SHIN		1/1.25"		1/1.25"		CHUCKING		SMTK							
		NL2500SY				J.W. SHIN		NAME		NAME		CHUCKING		SMTK							
		NL2500SY				J.W. SHIN		SUB CHUCK ASS'Y		SUB CHUCK ASS'Y		CHUCKING		SMTK							
		NL2500SY				J.W. SHIN		239001A00		239001A00		CHUCKING		SMTK							