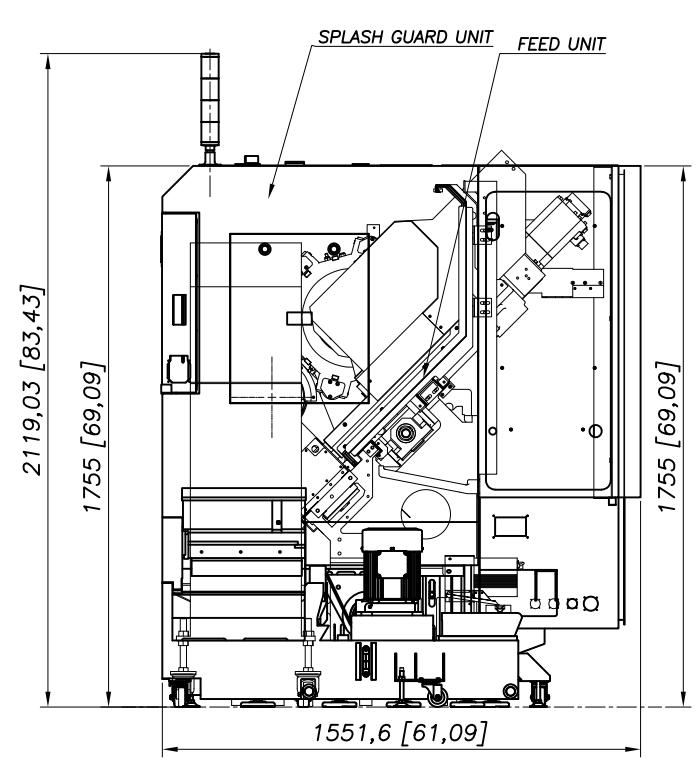
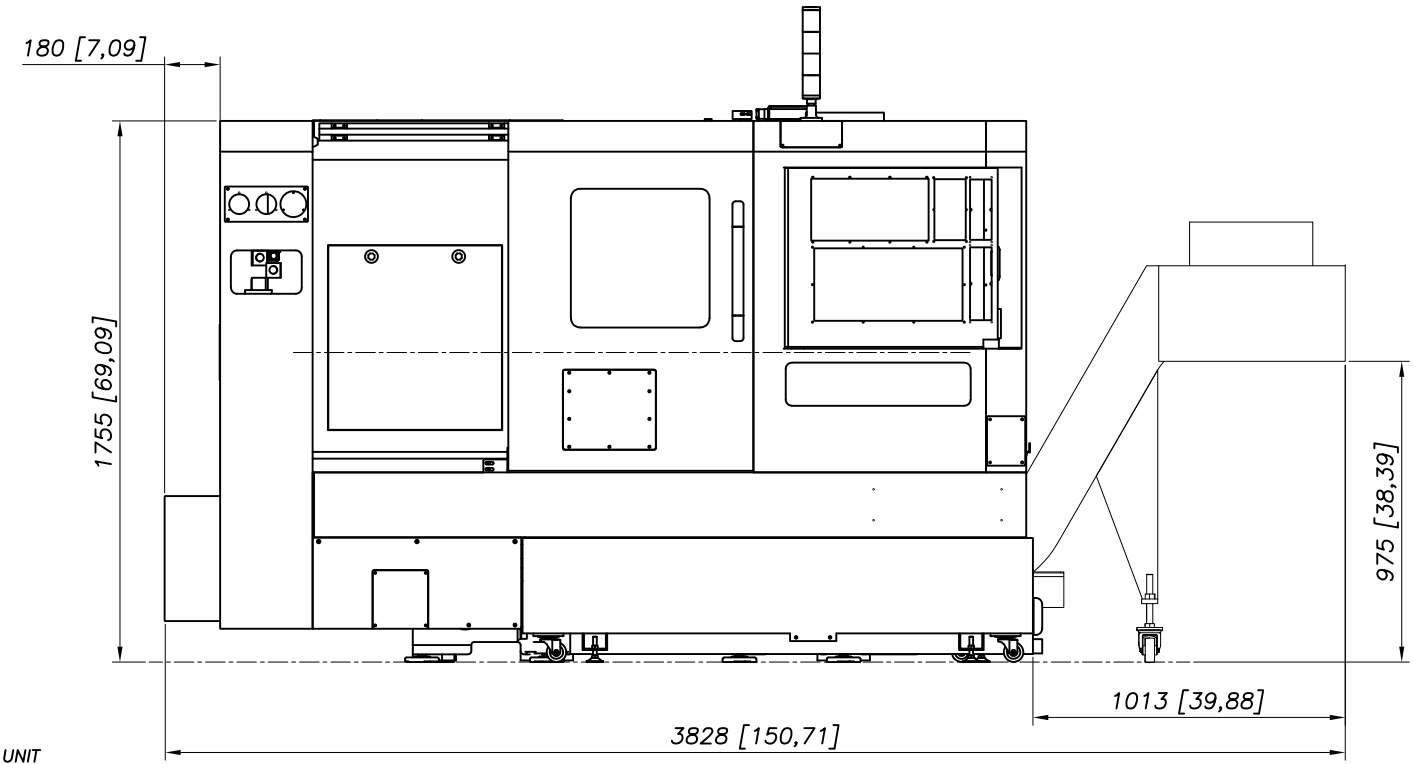
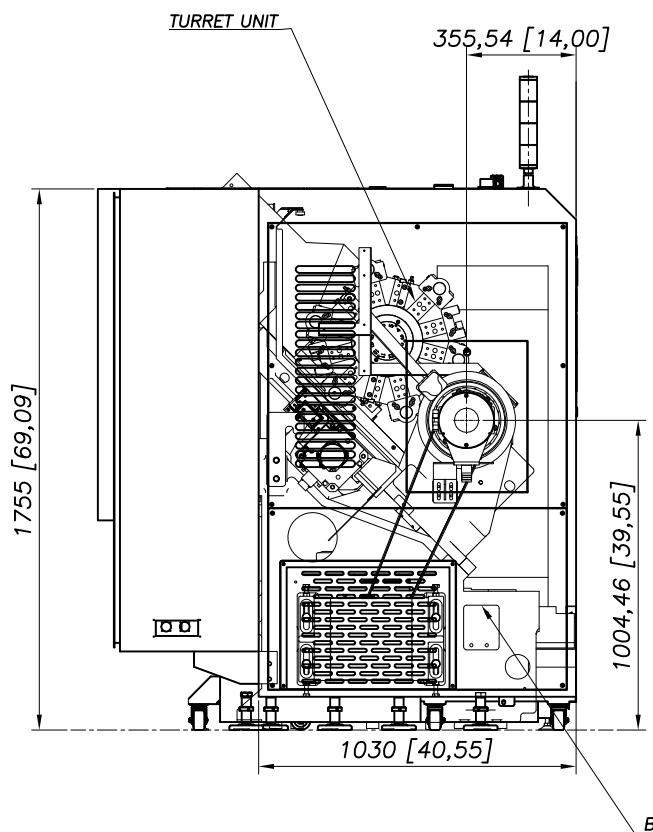
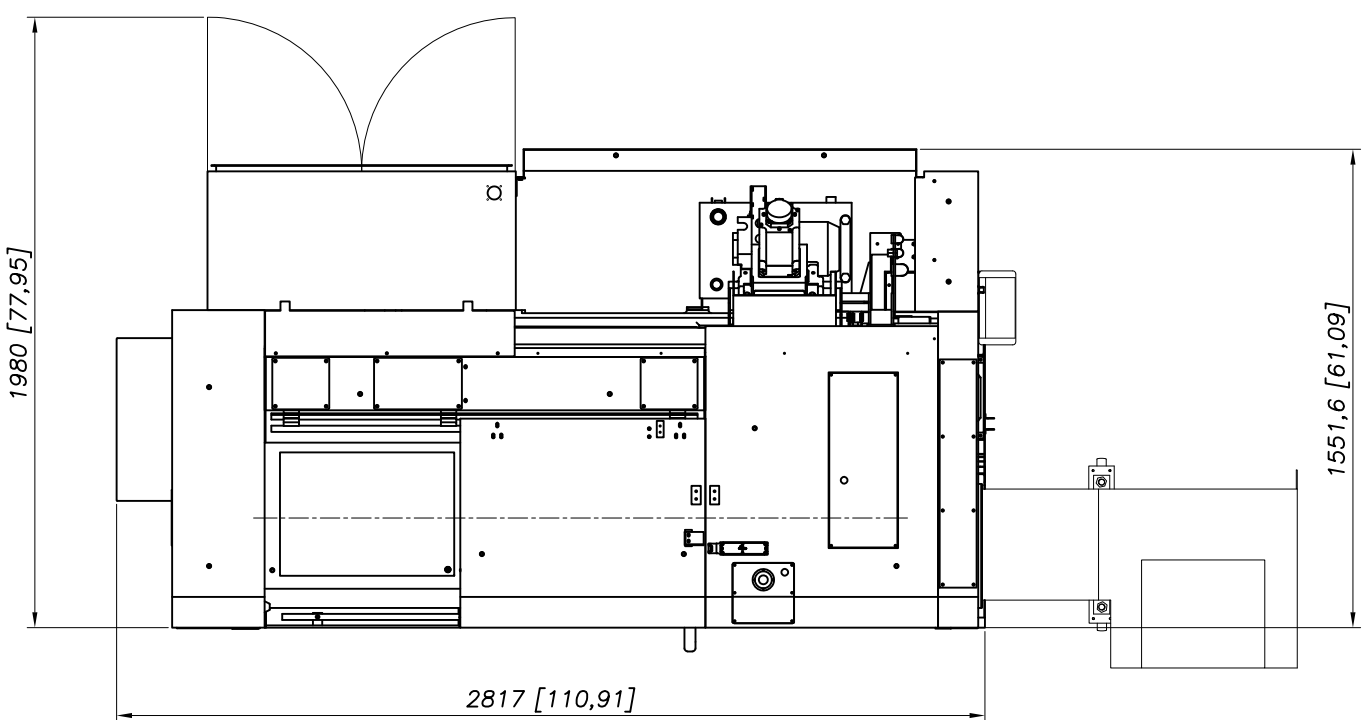




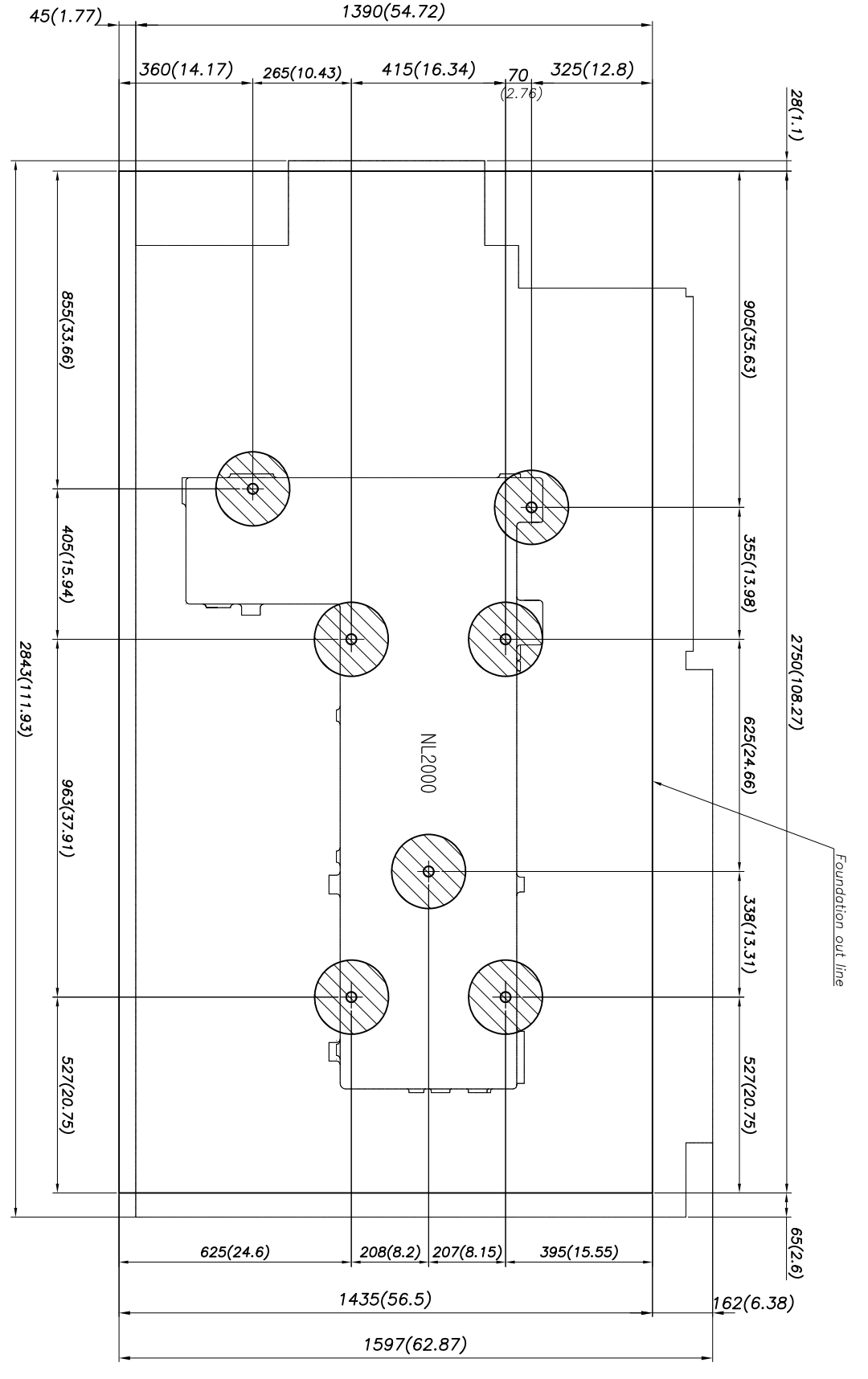
NL 2000(M)

**Installation
Packet**

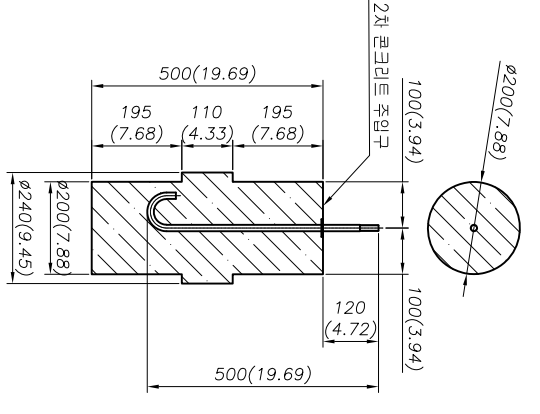
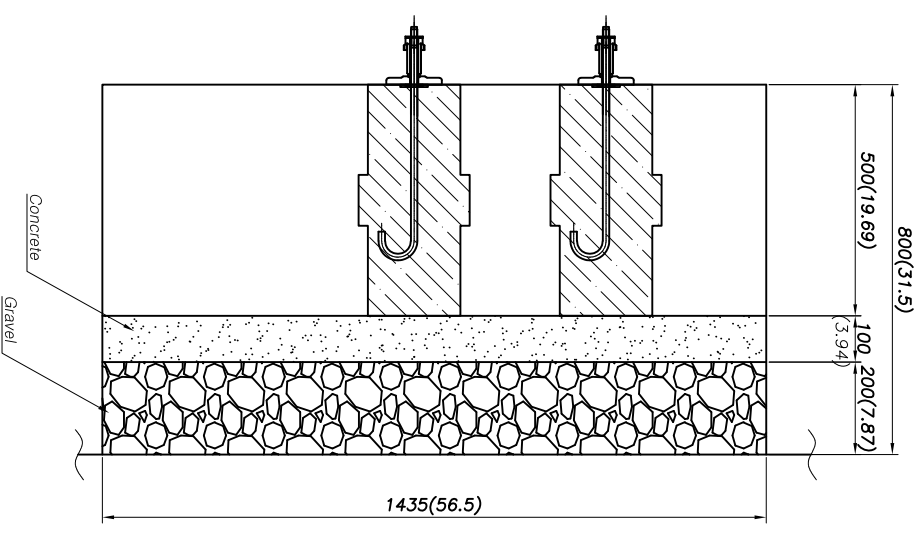


MARK	REVISION	DATE	REV'D	CHE' D	BY

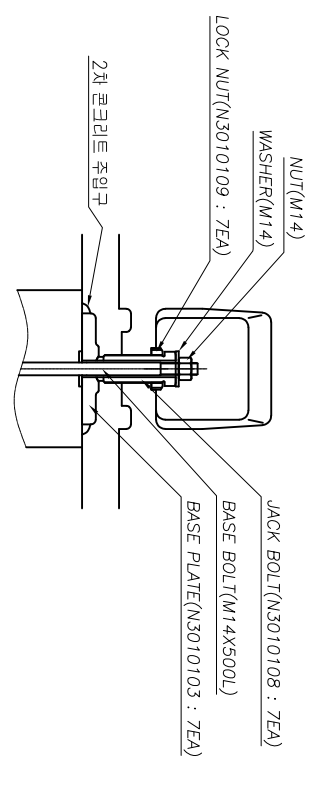
APP'D	GENERAL TOLERANCE (MACHINING)	HEAT TREATMENT	SMTK	
REV'D	0,5 - 6 ± 0,1		UNIT ASS'Y	
CHE'D	6 - 30 ± 0,2		NL200/250	LAY-OUT
DES'D	30 - 120 ± 0,3	MATERIAL	NAME	
DATE	120 - 315 ± 0,5	PLATING	GENERAL ASS'Y	
	315 - 1000 ± 0,8	SCALE	N 2 1 0 0 0 0 4 A 0 0	
	1000 - 2000 ± 1,2	1/1		
	UNLESS OTHERWISE SPECIFIED			
	CHAMF & CONNER			
	CO. 3, RO. 8			



Operator's side



Foundation Bolt Detail



Note1) This drawing shows the standard foundation. Modify the concrete thickness according to ground condition.

Before the first concrete is completely dry, chamfer the area facing the outside of the machine by approximately 100 mm.

Concrete strength (28 days after placing concrete) should be 20.6 Mpa(2986.2 psi) or more.

Note2) Because 100 mm(3.94 inch) of styrofoam must adhere to the inside surface of ditch, dig the foundation 100 mm(3.94 inch) outside of the outline of the foundation.

Note3) Unit : mm(inch)

REVISION		DATE	REV'D	CHE' D	BY	CHK'D	DATE	REV'D	CHE' D	BY	CHK'D	DATE

APP'D	DES'G	DATE	REV'D	CHE' D	BY	CHK'D	DATE	REV'D	CHE' D	BY	CHK'D	DATE

GENERAL TITLE	DRAWING NO.	QUANTITY	UNIT ASSY	SCALE
FOUNDATION ASSY <td>SMTK <td></td> <td>NL2000 <td>1/8</td> </td></td>	SMTK <td></td> <td>NL2000 <td>1/8</td> </td>		NL2000 <td>1/8</td>	1/8

Packing Information (Update date: 2024-02-23)

NO.	Model	Model (Short)	Description	PART NAME	CBM	NET WEIGHT (KGS)	PACKING WEIGHT (KGS)	GROSS WEIGHT (KGS)
1	NL1500/2000/2000B (USA only)	NL1500/2000/2000B	Machine	3,600(L) X 2,300(W) X 2,250(H)	18.63	3,900	530	4,430
2	NL1500M/2000M/2000BM (USA only)	NL1500M/2000M/2000BM	Machine	3,600(L) X 2,300(W) X 2,250(H)	18.63	4,200	530	4,730
3	NL2000ASY	NL2000ASY	Machine + Chip conveyor	5,300(L) X 2,300(W) X 2,475(H)	30.17	5,700	700	6,400
4	NL2000BSY	NL2000BSY	Machine + Chip conveyor	5,300(L) X 2,300(W) X 2,475(H)	30.17	5,800	700	6,500
5	NL2500SY	NL2500SY	Machine + Chip conveyor	5,300(L) X 2,300(W) X 2,475(H)	30.17	6,100	700	6,800
6	NL2500/750	NL2500	Machine + Chip conveyor	5,100(L) X 2,300(W) X 2,250(H)	26.39	5,700	660	6,360
7	NL2500M/750	NL2500M	Machine + Chip conveyor	5,100(L) X 2,300(W) X 2,250(H)	26.39	5,900	660	6,560
8	NL2500/1100	NL2500L	Machine + Chip conveyor	5,550(L) X 2,300(W) X 2,250(H)	28.72	6,900	720	7,620
9	NL2500M/1100	NL2500LM	Machine + Chip conveyor	5,550(L) X 2,300(W) X 2,250(H)	28.72	7,100	720	7,820
10	NL3000B/750	NL3000B	Machine + Chip conveyor	5,100(L) X 2,300(W) X 2,250(H)	26.39	5,700	660	6,360
11	NL3000BM/750	NL3000BM	Machine + Chip conveyor	5,100(L) X 2,300(W) X 2,250(H)	26.39	5,900	660	6,560
12	NL3000B/1100	NL3000BL	Machine + Chip conveyor	5,550(L) X 2,300(W) X 2,250(H)	28.72	6,900	720	7,620
13	NL3000BM/1100	NL3000BLM	Machine + Chip conveyor	5,550(L) X 2,300(W) X 2,250(H)	28.72	7,100	720	7,820
14	NL4000M/1200	NL4000M	Machine	4,800(L) X 2,300(W) X 2,450(H)	27.05	10,800	650	11,450
15	NL4000/1200 C/C	NL4000 C/C	Chip conveyor	4,250(L) X 950(W) X 1,500(H)	6.06	800	70	870
16	NL4000M/2200	NL4000LM	Machine	6,000(L) X 2,300(W) X 2,450(H)	33.81	13,700	750	14,450
17	NL4000(M)/2200 C/C	NL4000L/LM C/C	Chip conveyor	5,450(L) X 950(W) X 1,600(H)	8.21	1,000	100	1,100
18	NL4000Y/2200	NL4000LY	Machine	6,000(L) X 2,300(W) X 2,950(H)	40.71	15,000	650	15,650
19	NL4000Y/2200 C/C	NL4000LY C/C	Chip conveyor	5,450(L) X 950(W) X 1,880(H)	9.73	1,000	100	1,100
20	NL4000(M)/3200	NL4000XL/XLM	Machine	7,000(L) X 2,300(W) X 2,550(H)	41.06	16,800	1,500	18,300
21	NL4000(M)/3200 C/C	NL4000XL/XLM C/C	Chip conveyor	6,450(L) X 1,150(W) X 1,600(H)	11.87	1,200	100	1,300
22	NL5000/1200	NL5000	Machine	4,800(L) X 2,300(W) X 2,450(H)	27.05	10,800	650	11,450
23	NL5000M/1200	NL5000M	Machine	4,800(L) X 2,300(W) X 2,450(H)	27.05	10,900	650	11,550
24	NL5000(M)/1200 C/C	NL5000/M C/C	Chip conveyor	4,250(L) X 950(W) X 1,500(H)	6.06	800	70	870
25	NL5000/2200	NL5000L	Machine	6,000(L) X 2,300(W) X 2,450(H)	33.81	13,700	750	14,450
26	NL5000M/2200	NL5000LM	Machine	6,000(L) X 2,300(W) X 2,450(H)	33.81	13,800	750	14,550
27	NL5000(M)/2200 C/C	NL5000L/LM C/C	Chip conveyor	5,450(L) X 950(W) X 1,600(H)	8.21	1,000	100	1,100
28	NL5000(M)/3200	NL5000XL/XLM	Machine	7,000(L) X 2,300(W) X 2,550(H)	41.06	16,900	1,500	18,400
29	NL5000(M)/3200 C/C	NL5000XL/XLM C/C	Chip conveyor	6,450(L) X 1,150(W) X 1,600(H)	11.87	1,200	100	1,300
30	NL6000/750(M) C/C	NL6000S/SM C/C	Chip conveyor + Rear cover	3,950(L) X 2,300(W) X 1,750(H)	15.90	1,800	130	1,930
31	NL6000(M)/1500 C/C	NL6000/M C/C	Chip conveyor + Rear cover	4,850(L) X 2,300(W) X 1,600(H)	17.85	2,150	150	2,300
32	NL6000(M)/2200 C/C	NL6000L/LM C/C	Chip conveyor + Rear cover	5,550(L) X 2,300(W) X 1,750(H)	22.34	2,250	250	2,500
33	NL6000(M)/3200 C/T	NL6000XL/XLM C/T	Coolant tank + Rear cover	5,600(L) X 2,300(W) X 950(H)	12.24	2,650	350	3,000
34	NV5500L C/C	NV5500L C/C	Chip conveyor	4,880(L) X 1,150(W) X 750(H)	4.21	900	100	1,000

MACHINE MODEL	KVA	AMPS @ 220V	Coolant	Slideways	Hyd. Unit	Transmission	Chuck	Oil for Air
NL150/200/250	31	82	48	.79 gal	5.3 gal	n/a	.2 oz daily	N/A
NL1500(M)	31	82	48	.79 gal	5.3 gal	n/a	.2 oz daily	.6 oz
NL2000(M)	31	82	48	.79 gal	5.3 gal	n/a	.2 oz daily	.6 oz
NL2000ASY/BSY	40	105	60	.79 gal	5.3 gal	n/a	.2 oz daily	.6 oz
NL2500SY	50	131	60	.79 gal	5.3 gal	n/a	.2 oz daily	.6 oz
NL2500S	40	105	48	.79 gal	5.3 gal	0.75	.2 oz daily	.6 oz
NL2500(M)	40	105	53	.79 gal	5.3 gal	0.75	.2 oz daily	.6 oz
NL3000(M)	40	105	63	.79 gal	5.3 gal	0.75	.2 oz daily	N/A
NL4000(M)	55	144	63	.79 gal	6.4 gal	0.75	.2 oz daily	N/A
NL5000(M)	55	144	63	.79 gal	6.4 gal	0.75	.2 oz daily	N/A
NL5000L(M)	65	170	130	.79 gal	6.4 gal	0.75	.2 oz daily	N/A
NL6000(M)	65	170	105	.79 gal	15 gal	0.75	.2 oz daily	N/A
NL6000L(M)	65	170	150	.79 gal	15 gal	0.75	.2 oz daily	N/A
NL6000XL(M)	65	170	180	.79 gal	15 gal	0.75	.2 oz daily	N/A
NL7000L(M)	65	170	150	.79 gal	15 gal	2 gal	.2 oz daily	N/A
NL7000XL(M)	65	170	180	.79 gal	15 gal	2 gal	.2 oz daily	N/A
				Shell Oil T68		Mobil Oil Light		
				Mobil Vactra#2	Mobil DTE 24	ISO VG 32	SW10	DTE Light
				check daily	check daily	check daily	grease daily	check daily

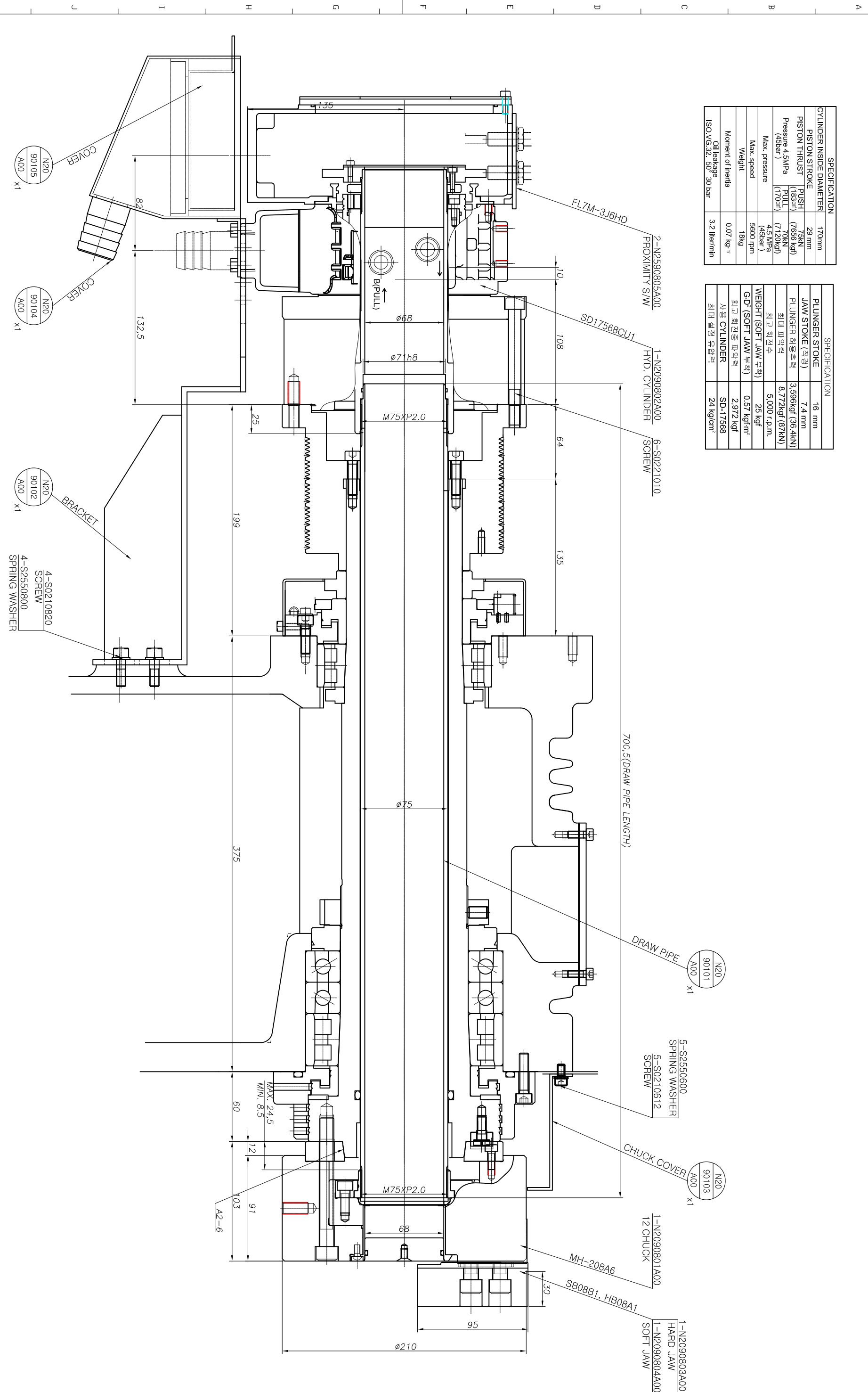
Air requirements: 80-100 psi, 5-10 CFM

Coolant only fluid required at install

Voltage : 220V +/- 10%

SPECIFICATION			
CYLINDER INSIDE DIAMETER	170mm		
PISTON STROKE	29 mm		
PISTON THRUST (Pressure 4.5MPa (450bar))	PUSH (183mm)	79KN (7698 kgf)	
	PULL (170mm)	70KN (7120kgf)	
		4.5 MPa (450bar)	
Max. pressure	5600 rpm	18kg	
Max. speed			
Weight	0.07 Kg		
Moment of Inertia			
Oil leakage ISO-VG-32 50 ⁰ 30 bar	3.2 liter/min		

SPECIFICATION			
PLUNGER STROKE	16 mm		
JAW STROKE (작동)	7.4 mm		
PLUNGER 작동후력 (최대 파워력)	3,596kgf (36.4KN)		
	8,772kgf (87KN)		
최고 회전수	5,000 r.p.m.		
최고 회전중 파워력	25 kgf		
WEIGHT (SOFT JAW 부착)	0.57 kgf		
최고 회전중 파워력	2,972 kgf		
용량 CYLINDER	SD-17568		
최대 절질 유압력	24 kg/cm ²		



추가)
1. NL2000 8" 대관용정 CHUCK & CYLINDER 사양명.

MARK	REVISION	DATE	REV. D	CHE. D	DATE	REV. D	CHE. D	DATE	GENERAL TOLERANCE HEAT TREATMENT		SCALE	NAME	UNIT ASS'Y	SMTK
									APPR. D	DES. D				
									0.5- 0.01		1/1.5	N2090001A00	HOLLOW CHUCK ASS'Y	
									6- 0.02				CHUCKING	
									30- 0.02					
									120- 0.02					
									315- 0.03					
									515- 0.03					
									1000- 0.05					
									1000- 0.03					
									1000- 0.03					
									1000- 0.03					
									1000- 0.03					
									1000- 0.03					
									1000- 0.03					